

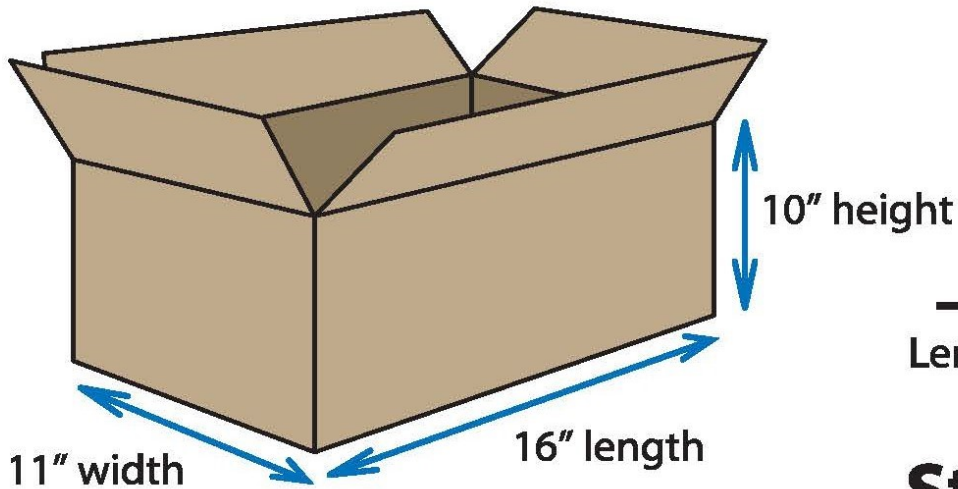
How To Measure A Box

Standard boxes are measured using the inside dimensions of the carton. Using a ruler or measuring tape you would measure the length, width and depth of the carton.

The carton is measured as

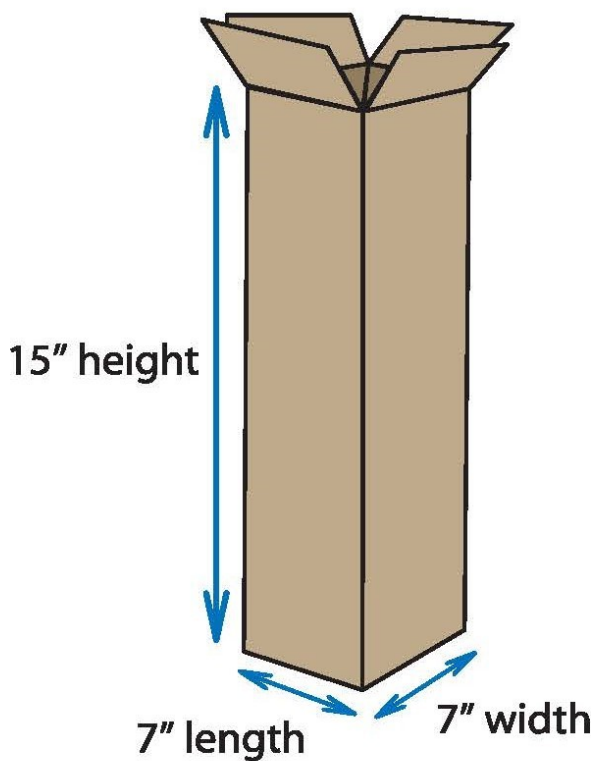
Length x Width x Depth (LxWxD)

1. Measure the Length. This is the longest side of the carton and has the longest flap
2. Measure the Width. This is the smaller side of the carton and has the smaller flap
3. Measure the Depth. This is done when the carton would be in the standing position and does not include any flaps.



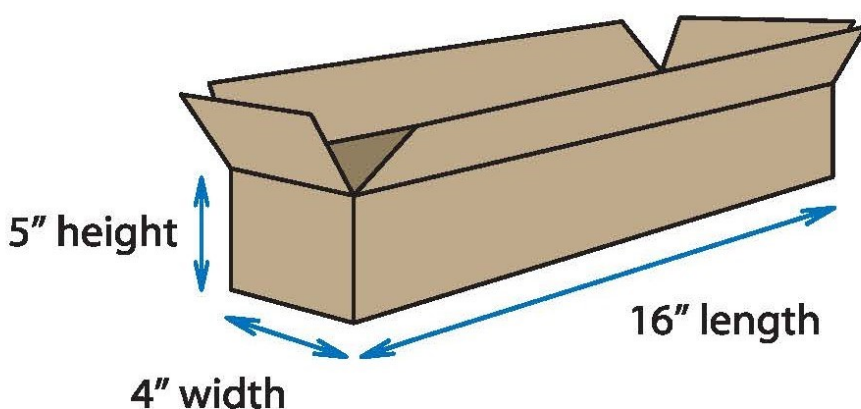
16 x 11 x 10"
Length x Width x Height

Standard Box



7 x 7 x 15"
Length x Width x Height

Tall Box



16 x 4 x 5"
Length x Width x Height

Long Box